

# *OTS-1100*

Online Terminal System 6R7

Release Announcement

**Software Version 6R7**  
**June 2021**

Formula Consultants Inc.  
222 S. Harbor Blvd. Ste 650  
Anaheim, CA 92805



**CONFIDENTIAL AND PROPRIETARY PROPERTY**  
*Subject to certain restrictions and non-disclosure  
requirements of Formula Consultants Incorporated.*

## Copyright Notice

Copyright © 2021 by Formula Consultants Incorporated, P.O. Box 544, Anaheim, California 92815.

The computer software described in this document is confidential. The proprietary contents of the program may not be disclosed without the express written consent of Formula Consultants Incorporated.

No part of this material may be reproduced in any form without permission in writing from Formula Consultants Incorporated.

Formula Consultants Incorporated reserves the right to revise or modify the contents of this document. Contact Formula Consultants to verify that you have the most current revision of this document.

The Online Terminal Security system (OTS-1100) is marketed by Formula Consultants Incorporated for use on UNISYS Series 1100 Computers. OTS-1100 prevents unauthorized use of terminals, on-line programs, software functions, and access to data.

Direct your comments or requests to:



Formula Consultants Incorporated  
P. O. Box 544  
Anaheim, California 92815

714/778-0123  
714/778-6364 (Fax)

## Trademarks

UNISYS and MAPPER are trademarks of UNISYS Corporation.  
Formula Consultants Incorporated is a California corporation.

Software Version: 6R7

# Contents

---

<b>General</b>	<b>1</b>
<b>Product Overview</b>	<b>1</b>
<b>Scope of this Release</b>	<b>2</b>
<b>New Features and Enhancements</b>	<b>2</b>
OTS-1100 ER TDATE\$ Remediation	2
OTS-1100 OTSRPT optional FSAH Utilization	2
OTS-1100 MCB10R2 Transparent Interface	2
New APPNAME and APPNO parameters	3
Solar Installation Mode change	3
<b>Discontinued Features</b>	<b>3</b>
<b>Previous Level Support</b>	<b>3</b>
<b>Documentation</b>	<b>3</b>
<b>OTS-1100 Notes Of Interest</b>	<b>4</b>
<b>Restrictions And Limitations</b>	<b>4</b>
<b>Compatibility</b>	<b>4</b>
<b>Migration</b>	<b>5</b>
<b>Ordering Instructions</b>	<b>6</b>
General Releases	6
<b>Product Order Form</b>	<b>1</b>

Page intentionally left blank to accommodate 2-sided printing.

# General

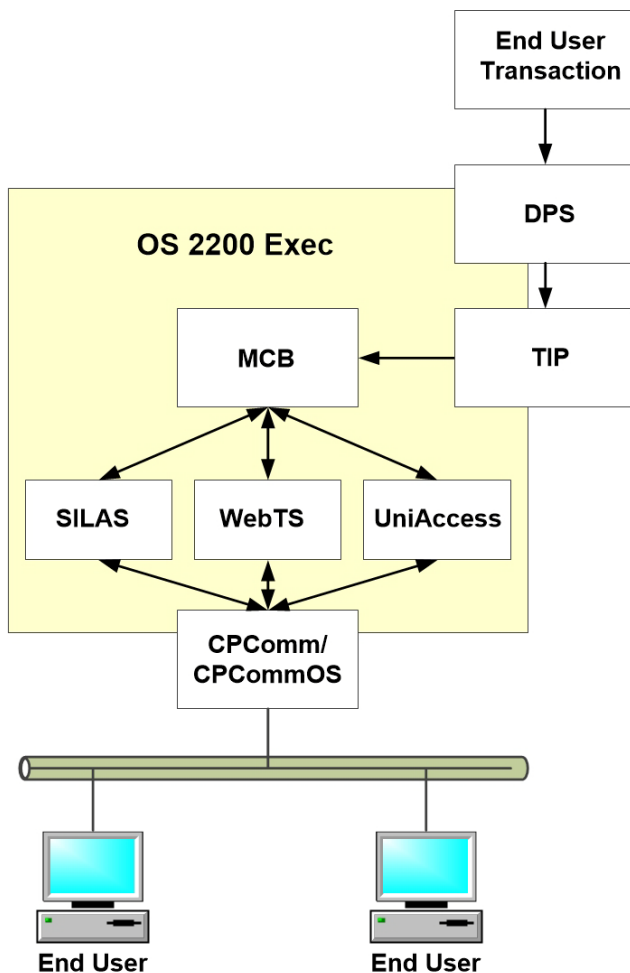
---

Formula Consultants is pleased to announce Level 6R7 of our Online Terminal Security system. OTS-1100 is now available for general distribution. As a normal FCI policy, this release is available at no additional cost to all OTS-1100 users with current maintenance contracts. It is also provided free to users still within the initial Warranty Period. Level 6R7 replaces the current general release, Level 6R6.

All software release tapes will be available in a DVD download format, unless specifically requested otherwise.

## Product Overview

---



Online Terminal Security System 1100 (OTS-1100), provides security for your OS 2200 applications.

It is designed to prevent unauthorized use of system resources, software, and data.

OTS-1100 can be configured to operate transparently to application programs. Your programs do not have to be rewritten for you to enjoy the advantages of some levels of security validation. This protects your company's investment in existing processing software. OTS affords other options for more stringent security.

OTS-1100 is fully compatible with Unisys' Transaction Interface Processing (TIP), and Display Processing System (DPS). OTS can be installed at sites using Communications Platform (CPCComm), Communications Platform for Open Systems CPCCommOS), System Interface for Legacy Application Systems (SILAS), Message Control Bank (MCB), Web Transaction Server (WebTS) and UniAccess Transaction Server.

# Scope of this Release

---

Level 6R7 of OTS-1100 is a minor feature release. Key features and enhancements of the release are described in subsequent sections of this document.

## New Features and Enhancements

---

### OTS-1100 ER TDATE\$ Remediation

The OTS-1100 6R7 product has been updated to remove all references to the TDATE\$ Executive Request and its date and time format. All of the OTS-1100 ER TDATE\$ references have been replaced with an ER MODSWTIME\$.

### OTS-1100 OTSRPT optional FSAH Utilization

The OTS-1100 system log reporting program OTSRPT can be configured to use either the TeamQuest SaUtilities product or the Unisys IRU Free Standing Audit Handler (FSAH) to access and read the system log file. Both products are compatible with the increased Audit Block size that was introduced in CP19 EXEC Level 49R5.

### OTS-1100 MCB10R2 Transparent Interface

The OTS-1100 MCB Transparent Interface has been rewritten for MCB Level 10R2 and above. The new Product Modification Element (MCB10R2) has been introduced for use in the 18.0 and CP19 releases. The new MCB transparent interface comes with new MCBSGSADD and MCBSGSGEN Product Modification Elements to use when generating MCB and when using the MCB CIU utility.

The OTS-1100 MCB10R2 Transparent Interface requires the following Unisys MCB PLE:

- PLE and PCR: PLE 19282643 correction 00044-03591-PCR.

The OTS-1100 MCB10R2 Transparent Interface does not require the following Unisys MCB PLE and PCR but they are strongly recommended:

- PLE 19291057 correction 00044-03594-PCR.

## New APPNAME and APPNO parameters

The OTS-1100 COMUS Build has two new parameters, APPNAME and APPNO, for Application Group identification for the SOLAR Installation.

## Solar Installation Mode change

The OTS-1100 product has changed its SOLAR Installation mode to be consistent with MCB and to match the application group so that it can be used to facilitate extended mode dynamic linking within an application group.

## Discontinued Features

---

- The optional Mapper Security Feature (COMIFC=2) has been discontinued.
- The following older Product Modification Elements (PMEs) have been discontinued and removed from the OTS 6R7 release. They applied to Unisys software products/levels which are currently unsupported.

DPS5R1

MCB8R1

TIPUTIL48

## Previous Level Support

---

OTS-1100 Level 6R6 will be supported until June 1st, 2022.

## Documentation

---

Documents provided with OTS-1100 6R7 include:

*OTS-1100 System Support Manual, FP-123 R9*

*OTS-1100 Security Administrator's Guide, FP-119 R9*

*OTS-1100 Programmer's Reference Guide, FP-124 R9*

*OTS-1100 User's Guide, FP-122 R9*

# OTS-1100 Notes Of Interest

---

All corrections identified in previous Notes of Interest are included in this release.

## Restrictions And Limitations

---

The Type 2 SGS parameter, DBANK:

- must be set to 0140000 or greater, and
- may not be greater than 0154000.

The non-flagging version of the ACOB compiler is required to generate this product.

The CB\_PROTECT feature of OS-1100 is not supported by this release of OTS-1100.

## Compatibility

---

### ***Important***

The OTS-1100 Level 6R7 product is compatible with the MCB Level 9R1A.

The OTS-1100 level 6R7 product must be installed prior to implementing the OTS-1100 MCB Level 10R2 transparent Interface.

The OTS-1100 MCB Level 10R2 transparent interface will **NOT** work with the OTS-1100 Level 6R6 Product.

OTS-1100 6R7 is a minor feature release and is compatible with 6R6.

The optional Mapper Security Feature (COMIFC=2) has been discontinued. The COMUS Build routine will automatically change the COMIFC value from 2 to 3. This will change DPS Screens during the COMUS Build, eliminating the MAPPER fields.

The OTS-1100 generation requires four consecutive screen numbers if DPSLEV is greater than 2.

The 'AISTAT' and 'DPSSTAT' entry points have been changed to return the date and time in a single word MODSWTIME\$ format and not the 2 word text TDATE\$ format.

The 'AI' (application interface) relocatable element is fully compatible with all prior levels of OTS-1100, without requiring any re-mapping of transactions, as long as the 'AI' relocatable is kept in its released and



supported format. Re-mapping of the 'AI' relocatable into a common bank is considered to be 'Local Code.' This practice has never been supported or recommended by FCI.

## Migration

---

The OTS-1100 product and its interfaces to Unisys products DPS, TIPUTIL and MCB have been designed to migrate in a specific sequence to achieve:

- ease of implementation,
- a successful migration and,
- backward compatibility.

Please follow the following sequence for each application group where OTS is installed.

1. Register the OTS-1100 Level 6R7 release tape in the previous COMUS database where OTS-1100 Level 6R6 was Built.
2. If the previous COMUS Database is not available, then after registering OTS-1100 Level 6R7, copy the saved DEFSET element from the currently installed OTS-1100 secondary installation file (SYS\$LIB\$\*OTS-2) to the COMUS Database file \*COMFIL.DEFSET/6R6. (The version must be 6R6 and not 6R7 for the upgrade feature to work). This allows the Build routine to automatically convert your previous configuration to the new level, inserting the new configuration parameters.
3. Perform a FULL COMUS Build, answering "No" to "Reset the type 2 SGS to FCI defaults" and "Yes" to Update the Type 2 SGS. Review the parameters as they are displayed in the menus.
4. Install OTS-1100 Level 6R7 for this Application Group, then run OTSRSTRUN.
5. Copy the OTS-1100 Level 6R7 Transactions (SIGNON, SIGNOF, OTSERR) into the online transaction files.
6. Confirm that OTS-1100 is working correctly before upgrading any of the OTS Transparent Product Interfaces for DPS, TIPUTIL and MCB.
7. Generate and Install the desired OTS-1100 transparent Product Interfaces for DPS, TIPUTIL and MCB, following the examples in the OTS-1100 System Support Manual.

# Ordering Instructions

---

To obtain a copy of OTS-1100 level 6R7, please download it from the Formula Consultants support website at:

**[www.formula.com/support/logon.asp](http://www.formula.com/support/logon.asp)**

*or* Order OTS-1100 6R7 electronically by addressing your e-mail to:

**OTS@formula.com**

*or* To order your site's copy of OTS-1100 Level 6R7 on DVD, please complete the attached Product Order Form and fax it to 714-778-6364, or mail your order to:

**Formula Consultants Incorporated  
P.O. Box 544  
Anaheim, CA 92815  
Attn: Product Sales**

## General Releases

**MEDIA:** An OTS-1100 level 6R7 DVD is available for download on the FCI support web site.

# Product Order Form

PRODUCT: OTS-1100 Level 6R7

CUSTOMER: \_\_\_\_\_

DELIVERY ADDRESS: \_\_\_\_\_

\_\_\_\_\_

CITY, STATE: \_\_\_\_\_

ZIP CODE: \_\_\_\_\_

CONTACT: \_\_\_\_\_

TELEPHONE NUMBER: \_\_\_\_\_

LAST OTS-1100 LEVEL RECEIVED: \_\_\_\_\_

